

# SESM

SMALL EQUIPMENT  
SHOP MAINTENANCE

# Lifts

Platform / Frame,  
Undercarriage, or Axle  
Engaging Lift Structures



Because...  
My *lift* Matters!

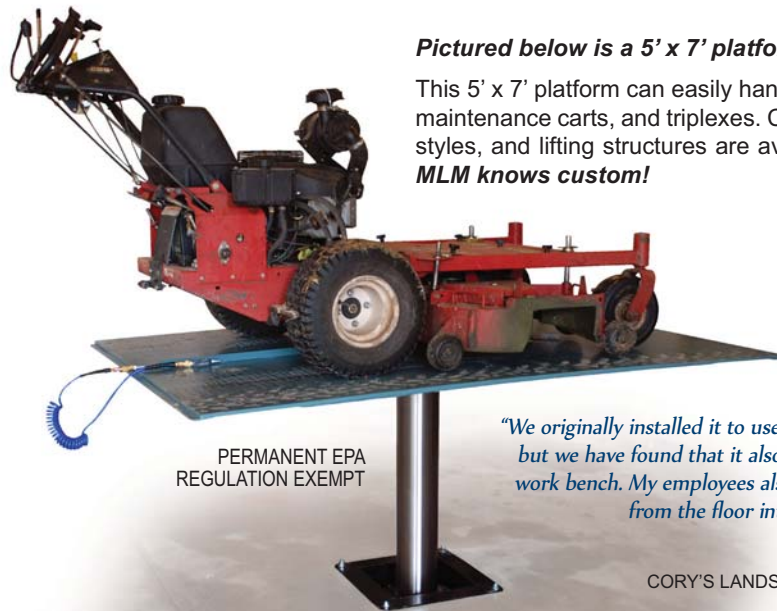
**AFFORDABLE • EASY INSTALLATION • NO PIPING • 360° ROTATION**

## SESM LIFTS ARE PERFECT FOR:

- Landscape Equipment
- Lawn Mowers
- ATVs
- Golf Carts
- Motorcycles
- Snowmobiles
- Personal Watercraft
- Small Engine Shops
- And More!



## Various Platform Sizes and Frame or Undercarriage Engaging Lift Structures



*Pictured below is a 5' x 7' platform.*

This 5' x 7' platform can easily handle zero turn mowers, maintenance carts, and triplexes. Custom platform sizes, styles, and lifting structures are available upon request. **MLM knows custom!**

PERMANENT EPA  
REGULATION EXEMPT

*"We originally installed it to use as just an equipment lift, but we have found that it also works great as a rotating work bench. My employees also use it to lift heavy tools from the floor into the back of our trucks."*

~ Cory Siegner

CORY'S LANDSCAPING & LAWN SERVICE  
SHANNON, ILLINOIS

MLM Lifts and Manufacturing LLC is a leading producer of high capacity, low pressure single acting cylinders for various industries. Effectively a combination of Globe Lift and the former Gilbarco lift division, MLM has an extensive engineering data bank that extends back to 1928. This broad knowledge base and an ever present can-do attitude has driven MLM into many markets as a mainstay supplier of products to increase shop and in the field productivity.

SESM lifts from MLM are a perfect solution for those engaged in the sale, service and use of smaller equipment associated with the outdoor power and turf equipment industries. Our style of lifts can be found in golf carts dealerships, landscape equipment maintenance shops, ATV dealers, motorcycle shops and just about anywhere else someone wants to make their job more productive and easier to accomplish.

MLM is a family-owned business and a subsidiary of SVI International, Inc. Great pride is taken in the job we do, as MLM is an America-First enterprise. We support American jobs, American craftsmanship, American engineering and all the American companies we can proudly call our customers. Please put an SESM lift to work for you in your shop today. Become a fan of MLM and add to our growing list of wonderful testimonials from satisfied customers. You will not be disappointed.

**MLM Lifts and Manufacturing LLC**

**800-543-8006 • 815-748-9500**

155 Harvestore Drive • DeKalb, IL 60115

*A subsidiary of SVI International, Inc.*

**www.MLMLifts.com**

*outperform competitors and your expectations.  
own the coolest piece of equipment in your shop.*

**EQUIPMENT DEALER SHOWROOM  
VERSIONS ALSO AVAILABLE!**

Proudly Display Your Best Equipment  
on a Brilliant Chrome-Plated Lift Platform.  
*Request a Showroom Version today!*

**SESM LIFT IDEAL USES:**

- Clutch Changes
- Engine Service
- Blade Sharpening
- Wheel Removal
- Cutting Deck Removal
- Equipment Cleaning
- General Maintenance
- Pickup Truck Loading and Unloading
- Oil Changes
- Brake Work
- Fuel System Service
- Belt Replacement
- Showroom Display



**Showroom lifts are ideal for two significant reasons.**

Every dealer providing top quality equipment can use a showroom lift to help increase sales of mowers, golf carts, ATVs, or any other equipment, and at the same time demonstrate platform lifts to clients that are conscientious about improving their own productivity.

**FIRST**—A platform style showroom lift will bring your best equipment up to any easier height for customer viewing. No one is bending over to look at controls or other features. An awesome zero-turn mower up on a platform will allow your sales personnel to easily point to and discuss the mower's features and benefits making the selection process easier and more enjoyable for your customers. Plus, it spins around a full 360° to keep your customer in place while you are discussing all the important reasons they should own the mowers you represent. Put the mower up at everyone's height, put an end to all the bending over and increase your sales.

**SECOND**—Proudly displaying your flagship mower on a platform lift will lead to the next sale. As an MLM dealer, every large landscaping and lawn care professional you deal with will recognize the benefit of improved shop productivity that an SESM lift delivers. There are just so many shop uses and once your customers start installing lifts in their shops they won't know how they ever got along without one. Testimonials and words of praise will soon become common occurrences in your showroom. You'll soon hear your customers say, "The MLM lift you sold me was the best investment I could've ever made for my shop. Thanks for suggesting it!"

**benefits** Install Anywhere

- Work at your height, not the floor height
- Helps recruit and retain the best shop technicians
- Operates off shop-air compressor / Self-contained unit, no under floor piping, no external air/oil tank
- Capacities from 1,000 lbs. to 25,000+ lbs. For larger capacities, ask about our LESMs.
- Various Stroke Lengths and Cylinder Sizes
- Compatible with all Hydraulic Fluids including Coast Guard and US Forestry Service Approved Environmentally Safe Fluids
- Design that lasts more than a lifetime
- Easy-to-service, only 1 moving part!
- Greatly improves shop productivity
- Ideal for rental properties—this lift is easily removed for relocation. Simply unbolt from the floor and remove. Add some backfill to existing hole and patch the concrete like it was never there. Reinstall lift in your new location.
- Must-have for busy shops
- 360° rotation keeps you between the work and the workbench
- No obstruction when lowered—park right over it.
- Superior operation and safety compared to imported above-ground lifts
- Get the real deal for All-American shops — Welded together by Americans for Americans!
- The best purchase a shop owner/operator can make!

ALSO AVAILABLE:

**LESM Lifts**

**LARGE EQUIPMENT SHOP MAINTENANCE**

Larger Versions Available for Large Tractors,  
Ag Equipment, Skid Steers and More!  
Capacities Possible to over 100,000 lbs.



[www.MLMLifts.com](http://www.MLMLifts.com)

~ DOES NOT REQUIRE ELECTRICITY OR HYDRAULIC PUMP ~



**Fiberglass Encapsulated Casing Protects From Corrosion (Standard)**

**HOW THE LIFT WORKS**

This semi-hydraulic air/oil lift may be the easiest lift to operate in the world. Simply connect a flexible shop air line to the supplied valve control line and depress the valve introducing air to raise the lift. Once raised to the desired height, release the valve, disconnect your air line and the valve control line if you wish. The lift will stay up in place. When it is time to lower the lift, reconnect the valve control line (if you removed it), and depress the valve. The air will slowly discharge through the valve and the lift will return back to the floor. Or, release the valve at any point during descent and the lift will promptly stop going down for your next work level. *It's that easy!*

**Valve Control Line (Standard)**



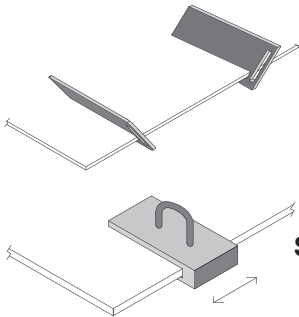
**options**

- TDC chrome-plated plungers — *Make it last forever!*
- Various style of wheel chocks made of steel and rubber
- Rubber Stack Pads (1-1/2" or 3" Tall)
- Safety Leg / Non-Rotator
- Safety Leg / Rotator to allow full 360° rotation of the platform

**TDC Chrome-Plated Plungers**



**Rubber Stack Pads for Wheel Service Applications**



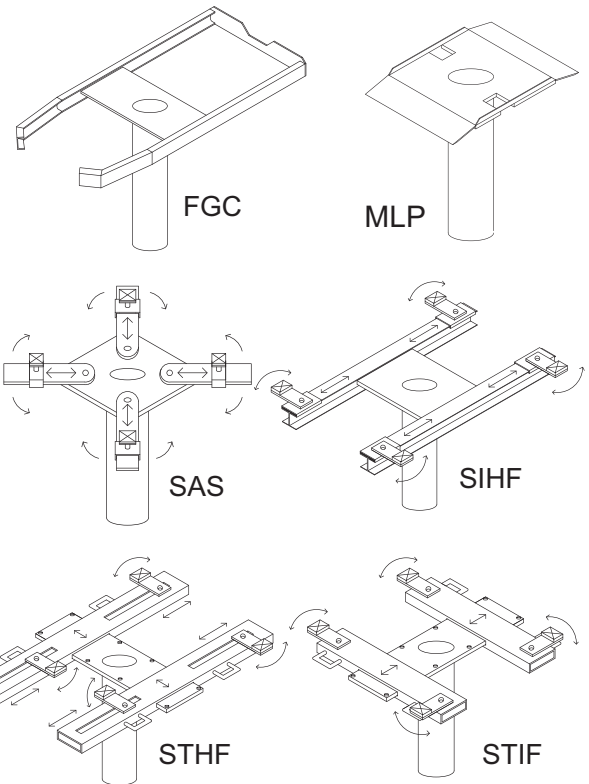
**Wheel Chocks in Various Styles**

**Sliding Hold Down Anchor Point**



**Safety Leg Non-Rotator**

**FRAME, UNDERCARRIAGE, OR AXLE ENGAGING SUPERSTRUCTURES**



**EASY INSTALLATION OF SESM LIFTS — Installs in 3 Hours or Less!!**



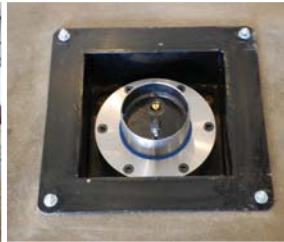
Simply saw through concrete.



Auger hole for cylinder.



Place cylinder in hole.



Drill holes, anchor down, and add fluid.

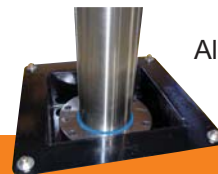


Install Lifting Structure and take full advantage of your cool time-saving tool.



A Family-Owned Enterprise

**MLM Lifts and Manufacturing LLC**  
**800-543-8006 • 815-748-9500**



All MLM Lifts are Made in DeKalb, Illinois USA

# HOW TO ORDER

Please refer to the charts below for example models. For Example: SESM-6536-6084-D-SR is a platform lift with a 6-1/2" Plunger with a 36" Stroke and a 5'x7' Rectangular Diamond-Plate Platform and a Safety Leg Rotator

**SQUARE OR RECTANGULAR PLATFORMS**

**Plunger Diameter**

50 = 5"
65 = 6-1/2"
75 = 7-1/2"
85 = 8-1/2"
10 = 10-5/8"
12 = 12-5/8"

**Platform Width**

30"	54"	84"
36"	60"	90"
42"	66"	96"
48"	72"	102"

**Platform Style**

D = Diamond Plate
F = Flat Plate

## SESM-6536-6084-D-SR

**Stroke Length**

30"	54"
36"	60"
42"	66"
48"	72"

**Platform Length**

30"	54"	84"
36"	60"	90"
42"	66"	96"
48"	72"	102"

**Safety Leg**

NS = No Safety Leg
SR = Safety Leg Rotator
SN = Safety Leg Non-Rotator

**ROUND PLATFORMS**

**Plunger Diameter**

50 = 5"
65 = 6-1/2"
75 = 7-1/2"
85 = 8-1/2"
10 = 10-5/8"
12 = 12-5/8"

**Platform Style**

D = Diamond Plate
F = Flat Plate

## SESM-6536-R84-D-SR

**Stroke Length**

30"	54"
36"	60"
42"	66"
48"	72"

**Platform Diameter (R for Round)**

R30"	R48"
R36"	R54"
R42"	R60"

**Safety Leg**

NS = No Safety Leg
SR = Safety Leg Rotator
SN = Safety Leg Non-Rotator

**FRAME, UNDERCARRIAGE, OR AXLE ENGAGING SUPERSTRUCTURES**

**Plunger Diameter**

50 = 5"
65 = 6-1/2"
75 = 7-1/2"
85 = 8-1/2"
10 = 10-5/8"
12 = 12-5/8"

**Platform Style**

D = Diamond Plate
F = Flat Plate

**Safety Leg**

NS = No Safety Leg
SR = Safety Leg Rotator
SN = Safety Leg Non-Rotator

## SESM-6536- -D-SR

**GROSS LIFT CAPACITY IN LBS.**

CYL. SIZE	@ 100psi	125psi	165psi
5"	1500	1900	2500
6.5"	2600	3300	4300
7.5"	3500	4400	5800
8.5"	4500	5600	7400
10.625"	7000	8800	11,600
12.625"	10,000	12,500	16,500

Note: Actual lifting capacity will vary based on platform or lifting superstructure designed load capacity, its weight, and load distribution.

**Stroke Length**

30"	54"
36"	60"
42"	66"
48"	72"

**Superstructure Style**

FGC = Fixed Golf Cart Lift Structure
MLP = Motorcycle Lift Platform
SAS = Swing Arm Sliding Adapters
SIHF = Sliding Adapter "I" Beam "H" Frame
STHF = Sliding Tube Swivel Adapter "H" Frame
STIF = Sliding Tube Swivel Adapter "I" Frame

**MLM knows custom.**  
 This is just a small sampling of various sizes and options we offer. If you don't see the dimensions or specifications you're looking for, no problem! Let us know and we'll work with you to make the lift to meet your needs!



**MLM Lifts and Manufacturing LLC**

800-543-8006 • 815-748-9500

www.MLMLifts.com